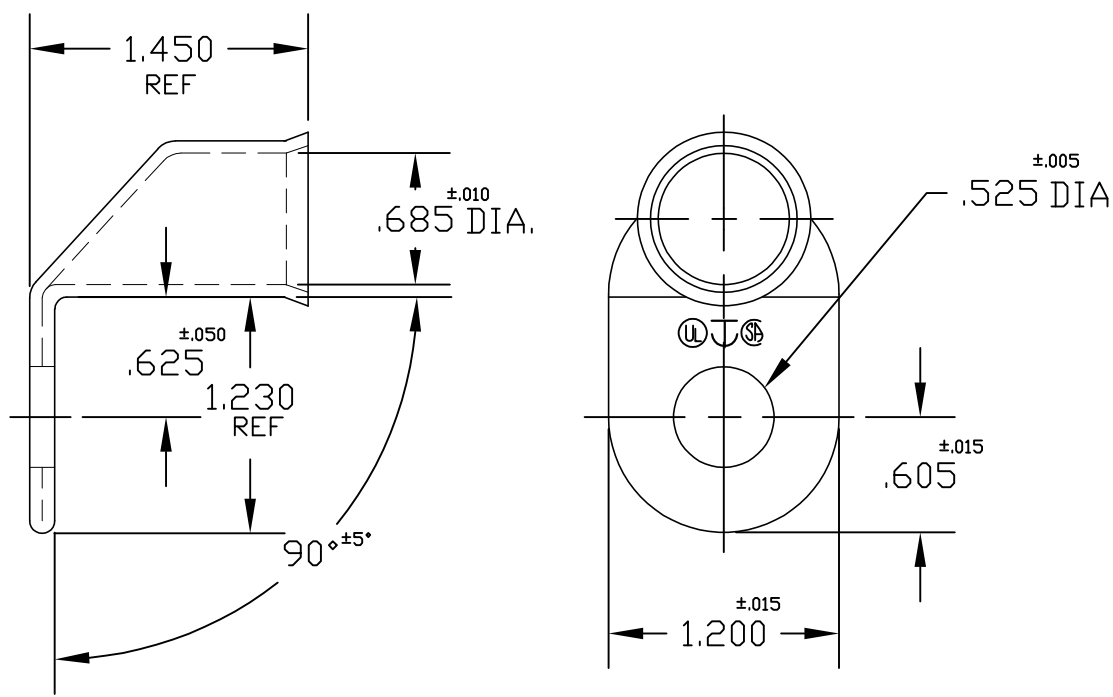


THIS DRAWING IS UNPUBLISHED. RELEASED FOR PUBLICATION
 © COPYRIGHT - BY TYCO ELECTRONICS CORPORATION. ALL RIGHTS RESERVED.

LOC	DIST	REVISIONS					
		P	LTR	DESCRIPTION	DATE	DWN	APVD
G	50		B	REV PER ECR 07-014512	21JUN07	JR	DD



ACTIVE	250501-09-90	STANDARD	TIN PLATE	1526937-2
ACTIVE	250501-08-90	STANDARD	PLAIN	1526937-1
STATUS	AET P/N	PACKAGING	FINISH	PART NUMBER

THIS DRAWING IS A CONTROLLED DOCUMENT.		DWN D.A.A 11/6/00	Tyco Electronics Corporation Harrisburg, PA 17105-3608		
DIMENSIONS: INCHES		CHK H.D.F 11/6/00			
		APVD H.D.F 11/6/00	NAME 250 MCM STANDARD TERMINAL WITH 90° BEND		
MATERIAL COPPER ASTM B-152		FINISH -	PRODUCT SPEC -	APPLICATION SPEC -	RESTRICTED TO -
CUSTOMER DRAWING			SIZE A3	CAGE CODE 00779	DRAWING NO G-1526937
			SCALE 1:1	SHEET 1 OF 1	REV B